

The Australian owned and designed* Trueheat RC Series of Gas Cooking Equipment has been developed for the restaurant and cafe market with a high quality finish, designed to fulfill the busy demands within a commercial kitchen.

The RCF4 fryer is a high quality economical open pot design model. Its premium fast action thermostat allows for oil temperature to quickly recover. It is durable and matches seamlessly with the Trueheat RC series. It's 18 litre capacity makes it ideal for small to medium sized restaurants, cafes and fast food outlets. It's 100mj capacity combined with front mounted high quality thermostat produces 26kg of fries per hour. Stainless steel construction with premium higher grade stainless frypot. 1 1/4" drain.

Note: This fryer is not suitable for plinth mounting.

STANDARD FEATURES

- Open Pot Design
- Premium fast action Fenwal thermostat
- 18 litre capacity
- Two Baskets included
- Piezo Ignition
- Stainless steel cabinet construction
- Drain extension pipe
- Clean out rod
- Stainless Steel frypot night cover

DIMENSIONS & WEIGHT

External Dimension: 400W x 803D x 1235H mm (includes flu deflector)

Net Weight: 65kg

Drain Height: 400mm

TECHNICAL DATA

Gas Type: Natural, Propane, Universal LP

| | | |
|----------------------|-------------|-------------|
| Total Output(MJ/hr): | Natural Gas | Propane Gas |
| | 100 | 92 |

Production: 26kg per hour (chips from frozen)

AGA approval number: AGA8562G

Gas Connection: 1/2" Female

SHIPPING DATA

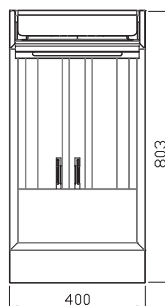
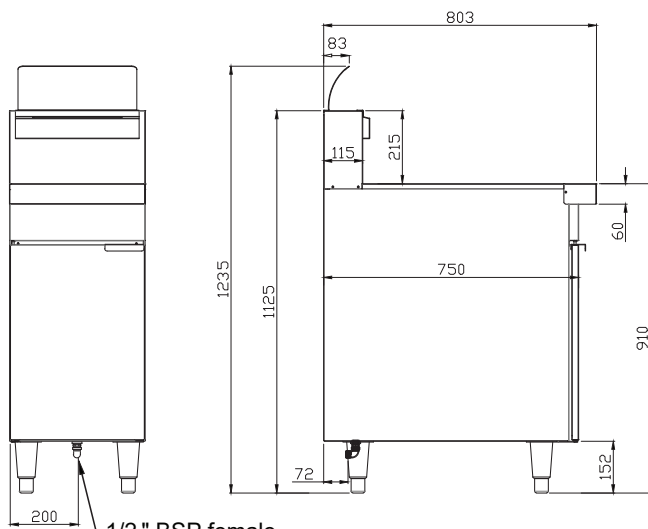
Shipping Weight: 81kg

Shipping Dimensions: 490W x 900D x 1260H mm

OPTIONAL ACCESSORIES

| Part Number: | Description: |
|---------------|--|
| B18120 | Fry Basket |
| S51058 | Stainless Steel Fish Plate |
| 8100357 | Front Castor Swivel with brake |
| 8100378 | Rear Castor Fixed without brake |
| S37416 | Fryer Joining Cap |
| S37417 | Fryer Splash Shield |
| 432018-900HK | 900mm 3/4 flexible gas hose with quick connect fittings and restraint |
| 432018-1200HK | 1200mm 3/4 flexible gas hose with quick connect fittings and restraint |

SPECIFICATIONS ARE SUBJECT TO CHANGE WITHOUT NOTICE.



*manufactured in China