



HOSHIZAKI

IM-100CNE-28

Cube 83kg Ice Maker - Self Contained

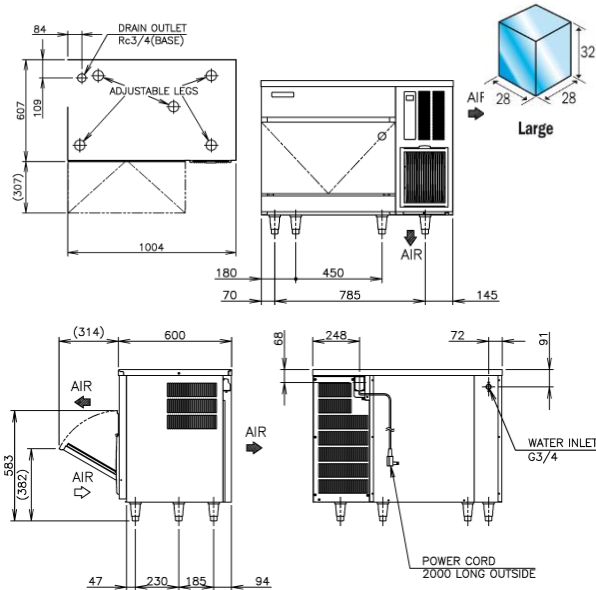
Model Number
91000114

PRODUCT FEATURES

- New intelligent control circuit dedicated to saving power and water consumption.
- Microcomputer controller controls the ice making process to work at peak performance in any conditions.
- Inbuilt safety features - freeze cycle back up timer, defrost back up, low voltage & high amp protector.
- New 7 segment operational display panel for ease of use.
- Unique closed cell water circuit for ultimate contamination protection.
- Durable stainless-steel exterior.
- Easily accessible and cleanable air filters reduce costly callouts.
- Exceptionally hard crystal-clear cubes that melt slowly.
- Auto rinse and flush cycle.



TECHNICAL DRAWING



PRODUCT SPECIFICATION

Production Capacity / 24hrs	Approx. 83kg @ 21°C Air temp; 15°C Water Approx. 73kg @ 32°C Air temp; 21°C Water
Max Storage Capacity	Approx. 38kg
Freeze Cycle Time	Approx. 29 Min
Ice Production / cycle	Approx. 1.8kg/80pcs
Dimensions	1,004mm (W) x 600mm (D) x 800mm (H) (Includes 90mm-125mm Legs)
Cooling	Air
Weight Net/Gross (kg)	77/88
Refrigerant Charge	R134a / 290g
AC Supply Voltage	1 PHASE 220-240V 50Hz/ 10 AMP Plug
Amperage	Running: 4.1A Rated: 4.1A Starting: 19A
Operating Conditions:	
Ambient Temp	1-40°C
Water Supply Temp	5-35°C
Water Supply Pressure	0.07-0.8MPa (0.7-8bar)
Voltage Range	±6%

Operating Conditions:



For free 6 month extended warranty, register online within 4 weeks of purchase date.
hoshizaki.com.au

INSTALLATION REQUIREMENTS

- Ensure the condenser is cleaned periodically as per the manufacturer's manual.
- Do not plug the unit into multi-plug power boards with other appliances
- Room ventilation or air conditioning can improve the situation by reducing the humidity.
- Hoshizaki recommends the use of a compatible water filter to prevent non-warrantable scale & sediment complications.

*Refer to manual for full installation & maintenance requirements.

