

CLEVELAND KEL-T SERIES

ELECTRIC FLOOR MOUNTED KETTLES

Electric, self contained, tilting kettle with worm drive tilt mechanism and 300lt or 375lt capacity, 2/3 jacketed. Solid state controls for accurate temperature control ($\pm 1^{\circ}\text{C}$) and low water safety. All exterior surfaces are stainless steel. 415 volts three phase, 16.7 amps.

Model: **KEL-80T (300lt capacity)**
KEL-100T (375lt capacity)



STANDARD FEATURES

- Splash proof element cover with a double gasket seal
- Water resistant controls, splash-proof construction
- 50 psi steam jacket rating for higher cooking temperatures
- Self-contained, easily installed - needs only an electrical hook-up
- Steam jacket filled with treated water, venting and/or refilling is not required
- Re-inforced rolled rim design prevents damage to kettle rim, eliminates "bar rim designs"
- Welded-in heating elements, (holds vacuum better, won't leak or loose water)
- Easily cleaned: kettle and all exterior surfaces are of type 304 stainless steel with an #4 finish
- Solid state water level control (no sight glass gauge to break or leak)
- Tilt mechanism of roller bearings and case hardened self-locking worm and segment gear
- 1 5/8" O.D. tri-leg supports with level adjustable feet for floor bolting
- Accurate, constant solid state temperature controls (mechanical thermostat not as accurate) - less than $\pm 1^{\circ}\text{C}$ variance (ideal for simmering). Operating temperature range from 145° - 260°F (63°C - 127°C) Control panel includes: LED indicator for heat cycle, LED indicator for low water, Power ON/OFF switch • Adjustable temperature control dial
- Rear mounted easy access pressure gauge and pressure relief valve to prevent tampering. Color coded easy to read pressure gauge with "green" and "vent air zone"
- 50 psi safety valve
- Large pouring lip for high capacity and chunky products

OPTIONAL FEATURES

- Pan Carrier (PCK)
- Food Strainers (FS)
- Kettle Accessory Kit (KAK) includes:
 - Clean-up Brush (CB) - 914mm Kettle Paddle (KP)
 - 914mm Kettle Whip (KW) - 914mm Kettle Brush
 - Draw-Off Brush (DB) - 24 oz. Ladle (KL)
- Measuring Strip (MS)
- Swing Funnels for drain (SW)
- Heat Deflector Shield (HS001)
- Spring-assisted, hinged, rotatable, domed Stainless Steel Cover (CHS)
- 51mm or 76mm diameter Tangent Draw-Off Valve (TD2 or TD3*), *TD3 for 225 Lt. only and will raise height of kettle by 143mm
- Hot and Cold Water Faucet with Swing Spout and Mounting Bracket (DPK and FBKT)
- Type 316 Stainless Steel Kettle Liner for high acid food products (316)
- Flow Diverter (FD)
- Cooking Baskets and Tri-Basket Supports (BS and TBS)
- Automatic Water Meter (GMF or LMF)
- Drain Strainers (DS-)
- Water Meter Stand (SWM)
- Lift-Off Covers (CL)
- Gallon Markings (KM)
- Alternate Mounting Systems
- Correctional Packages

SPECIFICATIONS ARE SUBJECT TO CHANGE WITHOUT NOTICE.

From the world of Comcater!

National Head Office
 156 Swann Drive
 Derrimut VIC 3030
 Tel: +61 3 8369 4600
 Fax: +61 3 8369 4695

Melbourne
 96-100 Tope Street,
 South Melbourne VIC 3205
 Tel: +61 3 8369 4600
 Fax: +61 2 8699 1299

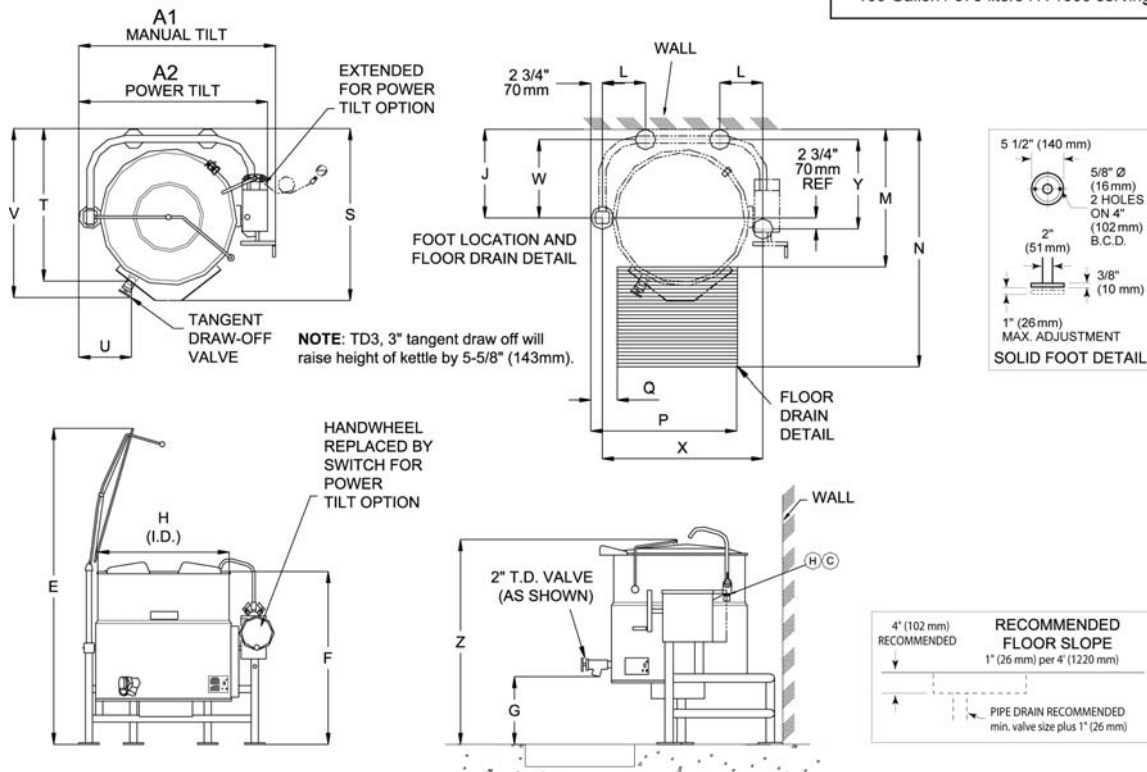
Sydney
 20/4 Avenue of the Americas
 Newington, NSW 2127
 Tel: +61 2 9748 3000
 Fax: +61 2 9 648 4762

Brisbane
 1/62 Borthwick Avenue
 Murarrie QLD 4172
 Tel: +61 7 3399 3122
 Fax: +61 7 3399 5311

CLEVELAND KEL-T SERIES



CAPACITIES: (in 8 oz. servings,
other sizes may be calculated)
80 Gallon / 300 liters . . . 1280 servings
100 Gallon / 375 liters . . . 1600 servings



KETTLE SHOWN WITH OPTIONAL SPRING ASSIST COVER, WATER FAUCET AND T.D. VALVE.

DIMENSIONS (mm)

Lt.	A1	A2	E	F	G	H	J	L	M	N	P	Q	S	T	U	V	W	X	Y	Z
300	1232	1375	2134	1205	432	839	616	289	826	1712	902	140	1220	1134	220	1023	547	1036	62	1323
375	1296	1439	2283	1237	413	902	651	296	915	1810	1029	103	1258	1194	235	1016	585	1099	651	1355

TECHNICAL DATA

Power Supply	415V, 3 Phase, 25.1amp (KEL-80T) 415V, 3 Phase, 25.1amp (KEL-100T)
Energy Rating	19.6kW (KEL-80T) 24.8kW (KEL-100T)

SPECIFICATIONS ARE SUBJECT TO CHANGE WITHOUT NOTICE.



www.comcater.com.au

PROUDLY DISTRIBUTED BY: