

## CLEVELAND KGL-T SERIES

### GAS FIRED TILTING STEAM KETTLES

Gas heated self contained tilting kettle with solid state controls for accurate temperature control ( $\pm 1^{\circ}\text{C}$ ) and low water safety. All exterior surfaces are stainless steel.

Model: **KGL-25T** (100lt capacity)  
**KGL-40T** (150lt capacity)  
**KGL-60T** (225lt capacity)  
**KGL-80T** (300lt capacity)



#### STANDARD FEATURES

- Automatic Electronic Spark Ignition System.
- Standard for natural gas operation.
- Self-contained gas tilting kettle is easily installed, only needs a gas connection and a 240 volt outlet.
- Kettle and all exterior surfaces are a 304 Stainless Steel with a #4 finish.
- Energy efficient (65%), high performance gas-fired heating system for fast heat-up and recovery time:
- Steam jacket permanently filled with treated distilled water; venting and/or refilling is not required.
- 50 psi Steam Jacket Rating. Safety Valve mounted toward rear of kettle to avoid tampering.
- Tilt Mechanism of roller bearings and case hardened self-locking worm and segment gear.
- Support Legs with level adjustable feet, flanged for floor bolting.
- Large pouring lip for easier, faster, pouring. Heavy-duty Rolled Rim design provides strong reinforcement, prevents damages from abuse.
- Precise, consistent temperature control, less than  $1^{\circ}\text{C}$  temperature variance (ideal for simmering). Operating temperature range from  $63^{\circ}\text{C}$ - $127^{\circ}\text{C}$ .
- "Splash-Proof" Solid-State Control Panel for temperature, Low Water Safety, and Power "On/Off" Switch. Accurate L.E.D. Indicators for Heat Cycle and Low Water Warning.
- Supplied with Gas Pressure Regulator.
- "Splash-Proof" rear-mounted pressure/vacuum gauge.

#### OPTIONAL FEATURES

- 316 Stainless Steel Liner (316)
- Kettle Markings (KM)
- Lift Off Cover (CL)
- Measuring Strip (MS)
- 51mm Tangent Draw-Off Valve (TD2)
- Clean-up Brush (CB)
- 914mm Kettle Whip (KW)
- Draw-Off Brush (DB)
- Correctional Packages
- Hot and cold water faucet (DPK), or cold water (SPK). Requires faucet bracket (FBKT)
- Propane Gas Option (LP)
- Spring Assist Cover (CHS)
- Basket Strainer (BS and TBS)
- Food Strainer (FS)
- Kettle Accessory Kit (KAK) includes:
  - 914mm Kettle Paddle (KP)
  - 914mm Kettle Brush
  - 24 oz. Ladle (KL)

SPECIFICATIONS ARE SUBJECT TO CHANGE WITHOUT NOTICE.

*From the world of Comcater!*

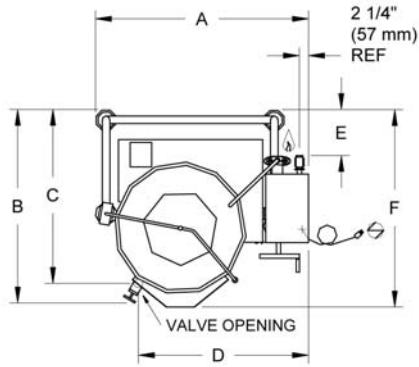
**National Head Office**  
156 Swann Drive  
Derrimut VIC 3030  
Tel: +61 3 8369 4600  
Fax: +61 3 8369 4695

**Melbourne**  
96-100 Tope Street,  
South Melbourne VIC 3205  
Tel: +61 3 8369 4600  
Fax: +61 2 8699 1299

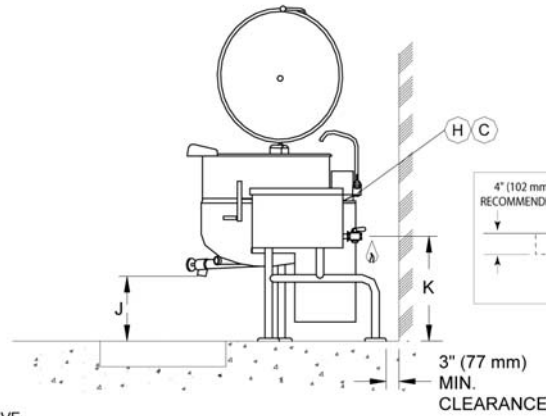
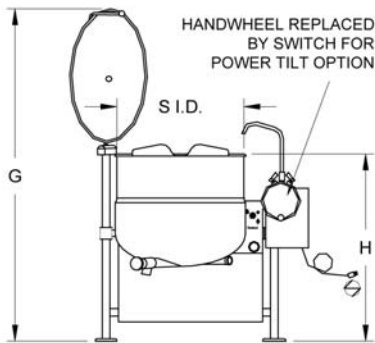
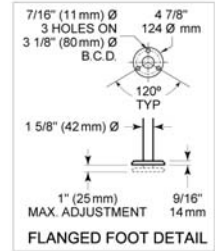
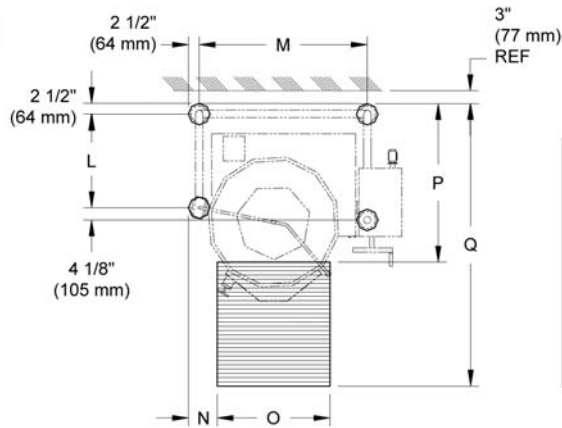
**Sydney**  
20/4 Avenue of the Americas  
Newington, NSW 2127  
Tel: +61 2 9748 3000  
Fax: +61 2 9 648 4762

**Brisbane**  
1/62 Borthwick Avenue  
Murarrie QLD 4172  
Tel: +61 7 3399 3122  
Fax: +61 7 3399 5311

# CLEVELAND KGL-T SERIES



**NOTE:** TD3, 3" tangent draw off will raise height of kettle by 5-5/8" (143mm). Available on 60 & 80 gallon models only.



UNIT SHOWN WITH OPTIONAL 2" TANGENT DRAW-OFF VALVE, SPRING ASSIST COVER AND HOT & COLD WATER FAUCET.

## DIMENSIONS (mm)

LITRES	A	B	C	D	E	F	G	H	J	K	L	M	N	O	P	Q	S.I.D
100	1067	1020	-	-	-	-	1626	980	381	-	406	806	64	559	511	1270	533
150	1163	108	966	889	229	1074	1804	1029	394	591	483	909	112	610	839	1601	661
225	1255	1169	1055	940	299	1201	1905	1112	388	623	559	1001	153	712	940	1728	750
300	1347	1245	1131	991	375	1296	1982	1137	356	635	635	1093	178	762	1016	1829	839

## TECHNICAL DATA

Gas Type	Natural or LP
Energy Rating	95mj (KGL-25-T) 148mj (KGL-40-T) 200mj (KGL-60-T) 200mj (KGL-80-T)
Power Supply	240V, 1 Phase, 50Hz 5amp
Operating Pressure	50 psi
Gas Connection	3/4"

SPECIFICATIONS ARE SUBJECT TO CHANGE WITHOUT NOTICE.



www.comcater.com.au

PROUDLY DISTRIBUTED BY: