

# P500A Pass Through Dishwasher

Technical Specifications



**CLASSEQ**  
Warewashing Made Simple.

# P500A

High volume, simple to use, WRAS compliant dishwashers, suitable for straight-through or corner sited operations.

Classeq's range of digital Pass-through dishwashers (also known as hood types) are perfectly suited to any busy kitchen and are capable of cleaning up to 720 plates per hour. With a 39 litre wash tank, running costs are kept to a minimum and features such as continuous hood clean and removable wash arms ensure that they are easy to clean.

All machines have simple to use digital controls, an LCD display to show wash and rinse tank temperatures and select cycle programs, plus are fully Water Board compliant. Drain pumps are fitted as standard, chemical pumps and water softeners are available as an optional extra.



All machines can be upgraded to include an integral water softener.  
(an essential requirement in hard water areas)

# Warewashing made simple:



## UK Manufactured

Our machines are Made in Britain (Staffordshire).



## Three Wash Programs

1.5, 3 and 5 minutes



## User Friendly

We've maximised our user experience through, two simple button controls.



## WRAS compliant

Type 'A' Air gap



## Liquid Crystal Display

A new and improved LCD display screen.

# Machine Features:

1 500mm x 500mm basket	2 Optional Built-in chemical pumps	3 Built in rinse booster pump	4 Removable basket guides
5 Dual wash filter system	6 Temperature interlock - guarantees hot rinse	7 Continuous Hood Clean System	8 High volume Dishwasher

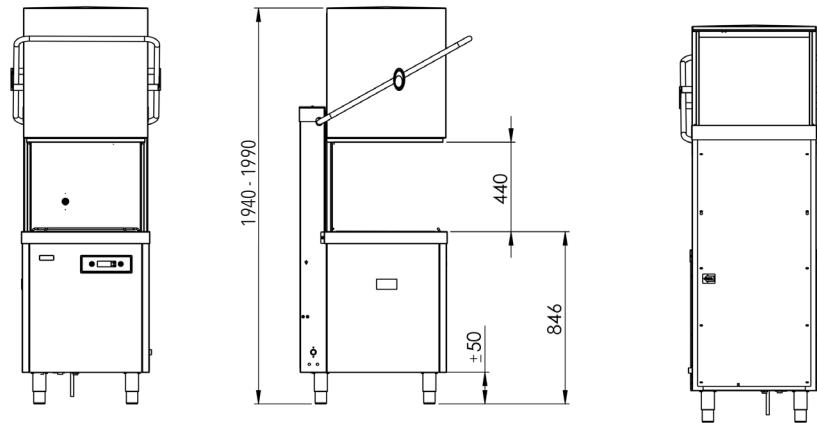
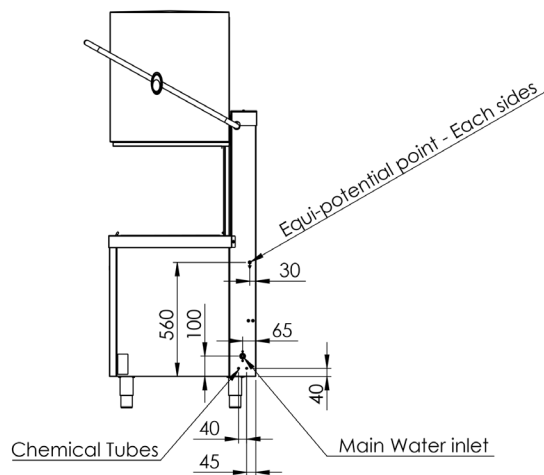
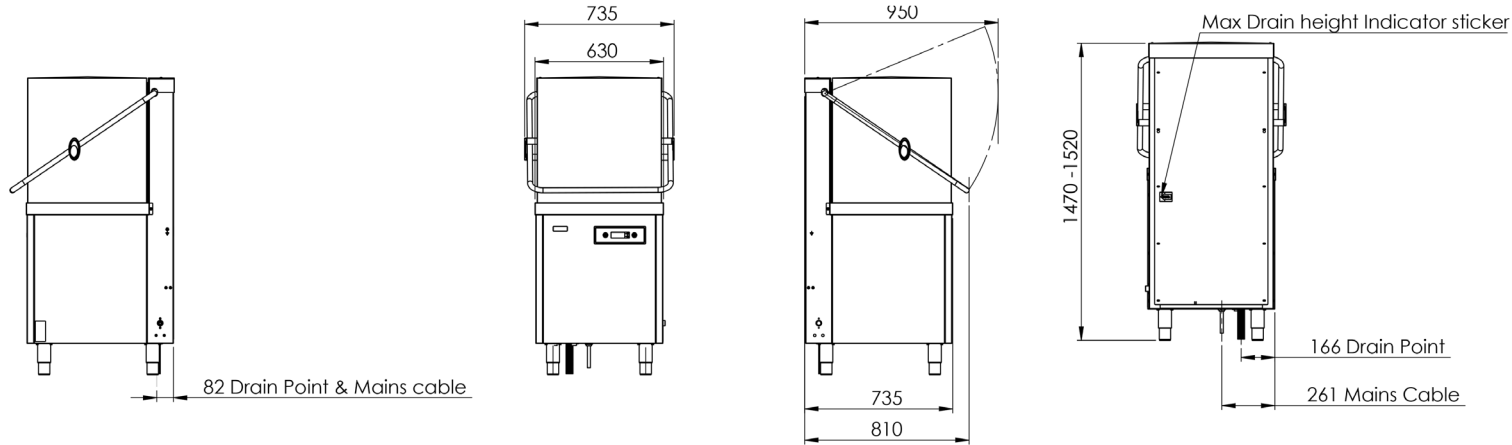
## Everyday Use P500A-12

Dimensions			
Width	630mm		
Depth	720mm		
Height - Hood Open	1940-1990mm		
Height - Hood Closed	1470-1520mm		
Maximum clear entry height	440mm		
Water inlet height floor level	265-315mm		
Drain height floor level	0-700mm		
Drain size	Ø40mm		
Rack size	500mm <sup>2</sup>		
Hydraulic specifications			
Water supply connection	3/4"		
Required water pressure	2.0 bar		
Required water flow rate	11Ltrs/min 4Ltrs/min (WS)		
Electrical specifications			
Operating voltage Standard	380-415AC/50/3N		
Operating voltage Optional	220-240AC/50/1N		
Amps required - 1 Phase Water fed @	40°C - 30A 10°C - 30A		
Amps required - 3 Phase Water fed @	40°C - 12A 10°C - 12A		
Rinse boiler heating 380-415AC/50/3N 220-240AC/50/1N	6.00kW 6.00kW		
Total Connected Load 380-415AC/50/3N 220-240AC/50/1N	6.68kW 6.68kW		
Performance			
Theoretical maximum racks/hour	40		
Max no. of plates per rack	18		
Cycle Times (mins)	1.5 / 3 / 5		
Operating noise level	<70dB		
Net weight	130kg		
Wash pump size	0.58kW		
Wash pump capacity	380Ltrs/min		
Wash tank capacity	39Ltrs		
Wash tank heating	4.05kW		
Wash tank temperature	55°C		
Rinse boiler capacity	7.5Ltrs		
Rinse boiler temperature	82°C		
Rinse water consumption at 2 bar	3.25Ltrs		

# Mechanical Specifications

## Additional Info:

Wash water temperature	55°C
Dish Washer rinse temperature	80°C
Noise level	Under 70dB



## Dimensions (mm):

630 (W) x 1940 - 1990 open / 1470 - 1520 closed (H) x 720 (D)

Please Note: All dimensions in mm

Contact:  
Telephone: +44 (0)844 225 9250  
Email: Sales@classeq.co.uk

Classeq House, Roebuck Way,  
Knowhill, Milton Keynes,  
Buckinghamshire MK5 8WH  
www.classeq.co.uk

**CLASSEQ**  
Warewashing Made Simple.