



# IMMERSION CIRCULATOR SMARTVIDE 8 PLUS

Max. capacity: 56 lt./14 gal. Bluetooth connectivity for HACCP.



## FEATURES AND BENEFITS

**Portable precision cooker with stirrer for up to 56 lt. / 14 gal. containers. Designed for chefs, developed with chefs.**

- ✓ The thick stainless steel, robust construction guarantees commercial performance.
- ✓ SmartVide guarantees cooking at a **precisely controlled temperature** while preserving the quality of the product, enhancing flavour and texture. Equipped with a highly precise temperature control system to obtain extremely consistent results. An **optional core probe** allows getting an even more precise control.
- ✓ Allows cooking food in their own juice and using this juice immediately after cooking to **enhance flavours**.
- ✓ Marinates and macerates an ingredient in **half the time**.
- ✓ **Infuses and flavours** oil, fat or other products applying the controlled temperature technique.
- ✓ Increases **profits** due to lack of product shrink.
- ✓ Requires **very little hands-on time**, allowing the Chef to do other tasks while the product is being cooked. Just program temperature and time, SmartVide will do the rest. 4 buttons and a full-colour TFT display that offers **all the information at a glance** makes operation a child's play. Moreover, thanks to Bluetooth connectivity, SmartVide 8 Plus allows for an interchange of important data to improve the chef's performance.
- ✓ SmartVide8 is **portable**: thanks to their thick, stainless steel, ergonomic handle, SmartVide8 can be taken from a container to another easily. Additionally, the bag supplied with the circulator allows easy transport - wherever the Chef goes.
- ✓ SmartVide8 Plus allows for an **effective HACCP control**. Thanks to Bluetooth connectivity, it is possible to export or print cooking results at the end of each cycle.

## SALES DESCRIPTION

Commercial high-precision sous-vide cooker. Reliable, user-friendly, portable.

With cutting-edge features that allow interchange of important data to improve the chef's experience and to allow an effective HACCP control thanks to Bluetooth connectivity.

Interchangeable between °C and °F.

4 user-friendly control buttons.

## INCLUDES

- ✓ Stainless steel handle and panel.
- ✓ Bluetooth connectivity.
- ✓ Transport bag.

## ACCESSORIES

- Needle Probe for sous-vide cookers
- SmartVide transport bag
- Probe Foam Seal
- Insulated tank for SmartVide immersion circulator
- Lid for SmartVide
- Floating balls for SmartVide



Food Service Equipment Manufacturer

Ph: +0242280100  
sales@icegroup.com.au



Project	Date
Item	Qty
Approved	

FOOD PRESERVATION AND SOUS-VIDE  
SOUS-VIDE COOKERS

product sheet  
updated 01/08/2018



# IMMERSION CIRCULATOR SMARTVIDE 8 PLUS

Max. capacity: 56 lt./14 gal. Bluetooth connectivity for HACCP.



## SPECIFICATIONS

### Temperature

Display precision: 0.01 °C

Range: 5 °C - 95 °C

Permissible ambient temperature: 5 °C - 40 °C

### Time

Resolution: 1 '

Cycle duration: 1 ' - 99 h

### General features

Maximum recipient capacity: 56 l

Bluetooth connectivity: Yes

HACCP-ready: Yes

Recipe memory: 20

Total loading: 2000 W

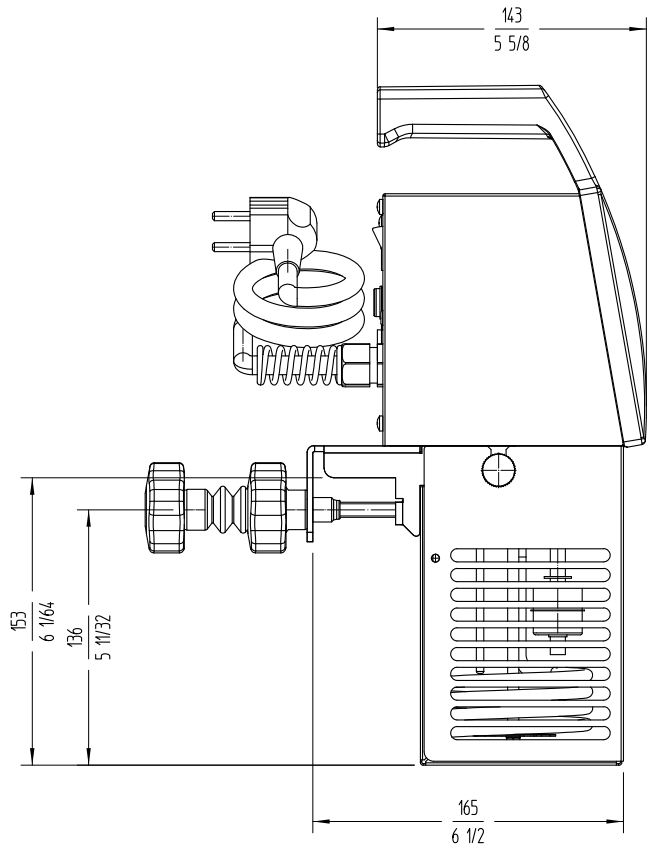
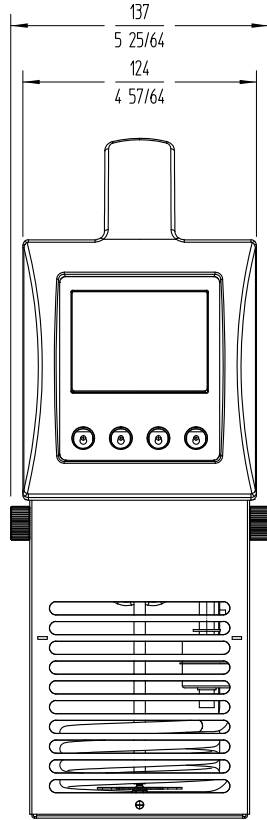
Submersible part dimensions: 117 mm x 110 mm x 147 mm

External dimensions (WxDxH): 124 mm x 140 mm x 360 mm

Net weight: 4.2 Kg

### Crated dimensions

440 x 190 x 310 mm



## AVAILABLE MODELS

1180000 SmartVide8 Plus 230/50-60/1

\* Ask for special versions availability

**sammic** | [www.sammic.com](http://www.sammic.com)  
Food Service Equipment Manufacturer

Polígono Basarte, 1.  
20720 Azkoitia, Spain

Ph: +0242280100  
[sales@icegroup.com.au](mailto:sales@icegroup.com.au)



Project

Date

Item

Qty

Approved

product sheet  
updated 01/08/2018

FOOD PRESERVATION AND SOUS-VIDE  
SOUS-VIDE COOKERS