



VB250A

SELF-CONTAINED ICE CUBE MACHINE

Brema's VB250A self-contained ice cube machine produces pyramid-trunk shaped ice cubes weighing 7g which automatically drop into a storage compartment.

The Brema VB250A is a free-standing cube machine that produces 105kg of ice per 24 hours and has storage capacity of 35kg.

The 'fast ice' created by Brema's VB250A is ideal for hotels, fast food outlets, bars and clubs.

STANDARD FEATURES

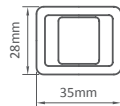
- 105kg production per 24 hours
- 35kg storage capacity
- Produces compact 7g cubes
- Production rated at 21°C air and 15°C water
- Hospital grade stainless steel outer
- Electromechanical operation
- Disappearing insulated door
- Stainless steel spray arm
- Fully insulated internal storage bin

STANDARD ACCESSORIES

- Water inlet hose
- Drainage hose
- External water filter
- Pressure limiting valve
- Plastic ice scoop
- Adjustable stainless steel legs (4)



7g Cubes



DIMENSIONS

738W x 600D x 980*H mm *add 110-150mm for adjustable legs

Clearances: Rear: 100mm Sides: 100mm

POWER SUPPLY

240V 50Hz 10A single phase (plugged)

CONNECTIONS

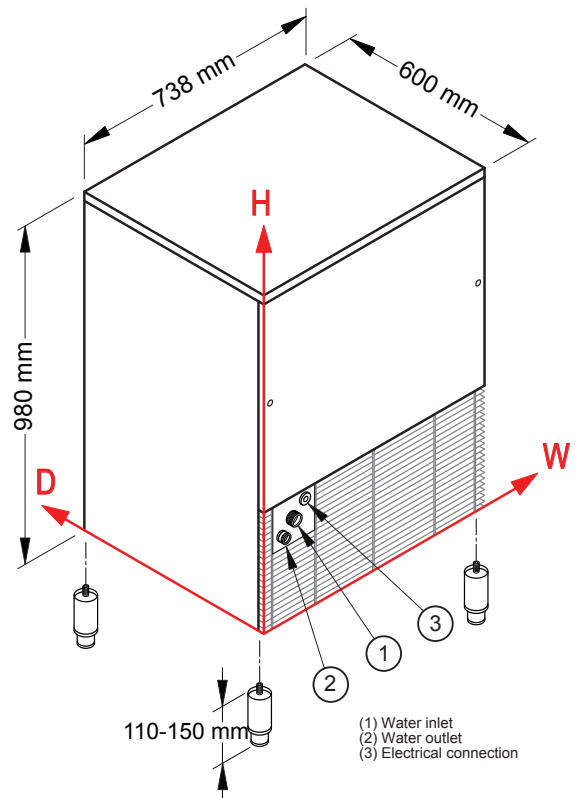
3/4" Water inlet, 24mm Water outlet & Electrical connection

	W	H
Water inlet	116 mm	245 mm
Water outlet	54 mm	200 mm
Electrical connection	161 mm	281 mm

TECHNICAL DATA

Energy Consumption:	850W
Production 24h:	105kg
Storage Capacity:	35kg
Cooling System:	Air
Cube:	7g
Refrigerant:	R404A
Weight:	75kg
WaterMark:	Yes

SPECIFICATIONS ARE SUBJECT TO CHANGE WITHOUT NOTICE.



National Head Office
156 Swann Drive
Derrimut VIC 3030
Tel: +61 3 8369 4600
Fax: +61 3 8369 4699
www.comcater.com.au

Melbourne
96-100 Tope Street
South Melbourne VIC 3205
Tel: +61 3 8369 4600
Fax: +61 3 8699 1299

Sydney
20/4 Avenue of the Americas
Newington, NSW 2127
Tel: +61 2 9748 3000
Fax: +61 2 9648 4762

Brisbane
1/62 Borthwick Avenue
Murarrie QLD 4172
Tel: +61 7 3399 3122
Fax: +61 7 3399 5311

Perth
Unit 16, 7 Abrams Street
Balcatta, WA 6021
Tel: +61 8 6217 0700
Fax: +61 8 6217 0799